

YS160 2-Way Motorized Plastic Valve



Features:

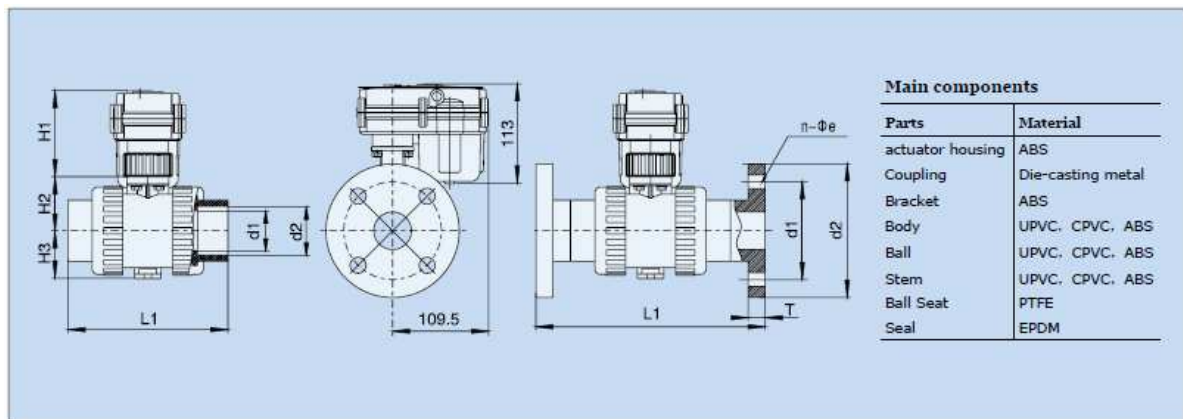
- Actuator's enclosure fabricated with corrosion resistant materials.
- Hi performance/price ratio.
- High torque actuator fabricated with metallic core components.
- Built in manual override

Applications:

- HVAC
- Water treatment
- Chemical process
- Industrial automation
- Cleaning equipment

Technical Parameters:

Series	Max Torque	Operating Time	Working Voltage	Max Power	Enclosure	Max Pressure	Max Fluid Temp	Ambient Temp	Humidity
160	16N.M	10 S	24 V	18 W	IP67	1.6 Mpa 230 psi	0~+90°C 32~ 194°F	-20 ~ +45°C -4 ~+113°F	<95%
			110 V	18 W					
			220 V	18 W					



Connecting Size

unit: mm

Size	H1	H2	H3	L			d1			d2			T	n-φe	W(kg)		
				S	T	F	S	T	F	S	T	F					
1 1/4"	98	52	47	161	191		31	100	40	G5/4	135	16	4-19	2.0	2.5		
1 1/2"	103	62	55	183	216		40	110	50	G3/2	140	17	4-19	2.4	2.9		
2"	103	73	64.5	218	241		51	125	60	G2	155	20	4-19	3.0	3.7		

S: Socket T: Thread F: Flange

NOTE:

- PT, NPT and GB are available for choose.
- The data above is for GB standard, and there is difference for different standard.
- Please contact our sales for other data specification.

Yamatho Supply LLC

e-mail: sales@yamathosupply.com

Phone/fax: 610-365-7928

www.yamathosupply.com



YS160 2-Way Motorized Plastic Valve

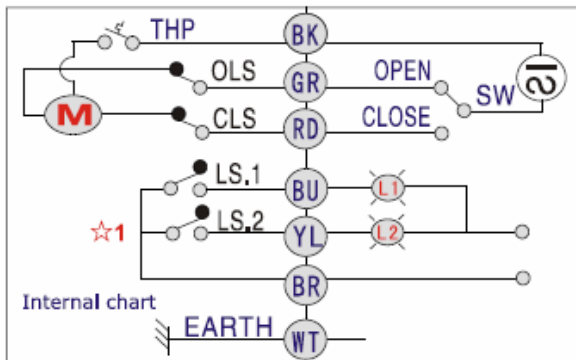


- On/Off control for 2-way ball valves
- For ball valves: 1 1/4" – 2"
- 160B7J24: 24 VAC
- 160B7J110: 110 VAC
- 160B7J220: 220 VAC

Technical Data

Basic technical data:

	Control	On/Off
	Max Torque	16Nm
	Angle rotation	90°
	Direction of rotation	Double acting
	Running time	10S
	Position indication	Visual indicator
	Manual Override	Available
	Humidity	<95% non-condensing
	Ambient Environment	-20°C < t < 55°C
	Housing	IP67 *2
	Housing material	ABS (PA-777D)
	Quality Standard	ISO 9001
	Connection cable	800 mm
160B7J24	Power supply range	AC 24V± 10%
	Working Current	550 ± 5 mA (AC 24V)
	Static current	0 ± 5 mA
	Max Power	18 W
160B7J110	Power supply range	AC 110V± 10%
	Working current	120 mA (AC 110V)
	Static Current	0 mA
	Max Power	18 W
160B7J220	Power supply range	AC 220V± 10%
	Working current	85 ± 10 mA (AC220V)
	Static Current	0 mA
	Max Power	18 W



B7 Wiring

Instructions:

- If SW is connected to GR, the valve will open and keep on. At this time, LS.1 will indicate when the valve reaches the open position.
- If SW is connected to RD, the valve will rotate to the close position. LS.2 will indicate when the valve reaches the close position.

NOTE:

☆1 The feedback signals of the B7 wiring configuration, are not synchronized with the valve location. The signal will indicate before the valve reaches the actual position.

Yamatho Supply LLC

e-mail: sales@yamathosupply.com

Phone/fax: 610-365-7928

www.yamathosupply.com

